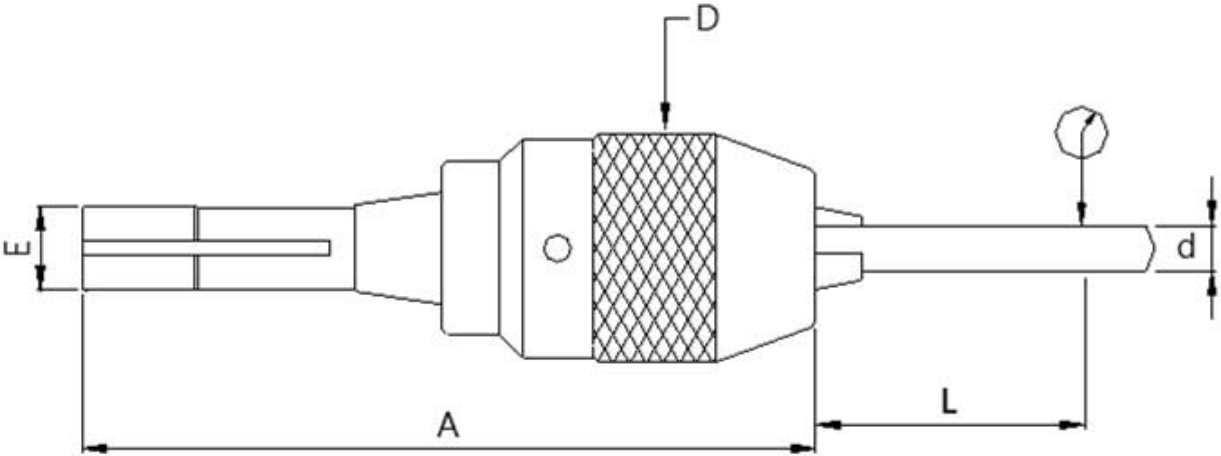


Precision Matthews Ultra High Precision Keyless Drill Chuck Specifications (R-8 Shank)



SIZE			A	D	E
0-1/2"	d .2" L 2"	+/- .00078"	Closed 7.244"	1.988"	7/16-20
	d .4" L 2"	(TIR 0.00157")	Opened 7.717"		
	d .5" L 3"				
1/8-5/8"	d .2" L 2"	+/- .00078"	Closed 7.441"	2.244"	7/16-20
	d .4" L 2"	(TIR 0.00157")	Opened 7.953"		
	d .6" L 3"				