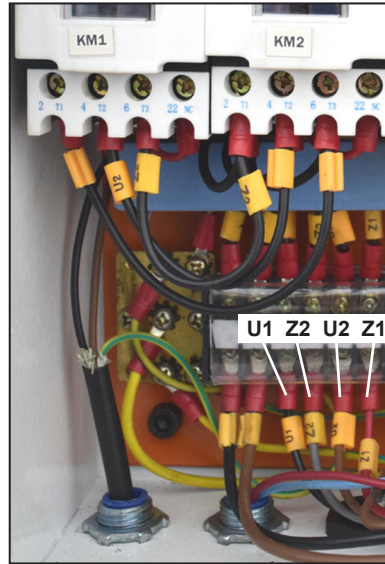
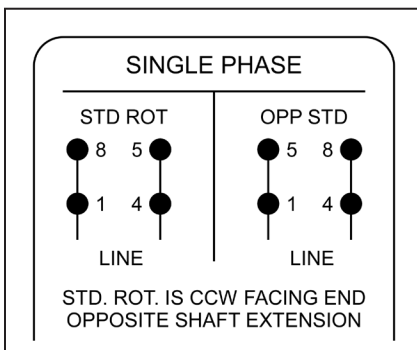


BALDOR REPLACEMENT MOTOR FOR PM-1236 LATHE



Electrical box at back of PM-1236
Location of these wires may vary



Make the following connections:

Wire designation on lathe	Baldor wire number
U1	1
U2	4
Z1	8
Z2	5